



VG 425 211CA

Stainless steel
Width 15" (38 cm)
Natural gas. For conversion to LP gas, LP kit (part #427789) must be ordered.

Installation accessories

In combination of several Vario cooktops or VL 414 downdraft, connecting strips must be used. Choose respective VA 420 strip from one of the below, depending on type of installation.

VA 420 000

Connection strip for combination with other Vario 400 series appliances for **flush mounting**.

VA 420 010

Connection strip for combination with other Vario 400 series appliances for **surface mounting**.

VA 440 010

Stainless steel appliance cover with mounting strip.
Only available for individual Vario installation.

Vario 400 series gas cooktop

VG 425

- Two multi-ring burners up to 13,600 BTU.
- Full electronic power level regulation on 12 levels
- Precise and reproducible flame size
- Automatic ignition, electronic flame monitoring with automatic re-ignition
- Simmer function for cooking on a very low output level
- Solid stainless steel control knobs
- Precision-crafted 3 mm stainless steel
- For surface mounting with a visible edge or for flush mounting
- Can be combined with other Vario 400 series products

Cooking zones

1 two-ring high-output burner (570 – 13,600 BTU), suitable for pots and pans up to a maximum \varnothing 11".

1 two-ring standard-output burners (570 – 6,800 BTU), suitable for pots and pans up to a maximum \varnothing 9 $\frac{7}{16}$ ".

Operation

Control knobs with illuminated ring, cooking zone and output level markings.

One-handed operation.

Full electronic control in 12 output levels for exact power level regulation plus simmer function.

Automatic ignition.

Features

Simmer function.

Cast-iron pan support with flat, continuous pot surface.

Brass burner rings.

Equipped for natural gas. For conversion to LP gas, LP kit (part #427789) must be ordered.

Safety

Electronic flame monitoring with automatic re-ignition.

Residual heat indication.

Safety shut-off.

Planning notes

Depending on the type of installation (surface-mounted or flush-mounted, the specific location of the cut-out and the knob positions may vary.

The drawing "Installation of the control knob" must be observed if the panel is more than 1" thick (there must be a recess at the rear).

If combining several Vario 400 series appliances, a connection strip VA 420 must be placed between the appliances. Depending on the type of installation, the corresponding connection strip must be provided.

The weight bearing capacity and stability, in the case of thin countertops in particular, must be supported using suitable substructures. Take into account the appliance weight and additional loads.

Additional instructions for flush mounting: Installation is possible in countertops made of stone, synthetics or solid wood. Heat resistance and watertight sealing of the cut edges must be observed.

Concerning other materials please consult the countertop manufacturer.

The groove must be continuous and even, so that uniform placing of the appliance on the gasket is ensured. Do not use discontinuous lining. The joint width may vary due to size tolerances of the combinations and of the countertop cut-out.

Please read additional planning notes on pages 108 – 113.

If installing several appliances in individual cut-outs allow for a minimum distance of 2" between the cooktops. Plan for an electrical connection (the appliance is not operable without power supply).

Air intake from above.

No intermediate shelf required.

Rear panel and wall trims must be heat-resistant and consist of a non-flammable material.

A minimum clearance of at least 6" from adjacent heat-sensitive cabinet or contact surfaces must be observed or thermal insulation fitted.

If operated next to the downdraft ventilation VL 414, the air baffle AA 414 is recommended to ensure maximum performance of the cooktop.

With a total connected load of more than 37,533 BTU local regulations concerning room ventilation, room size and combination of extraction or recirculation hoods must be observed. Minimum clearance between gas cooktop(s) with more than 37,533 BTU and ventilation hood must be 30".

Appliance can be snapped into the countertop from above.

Appliance weight: approx. 30 lbs.

Rating

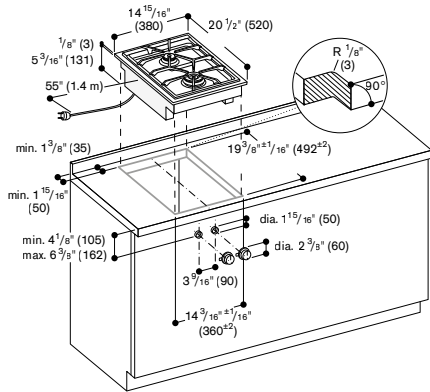
Total rating: 20,500 BTU (6.0 kW).

Total Amps: .2 A.

120 V / 60 Hz

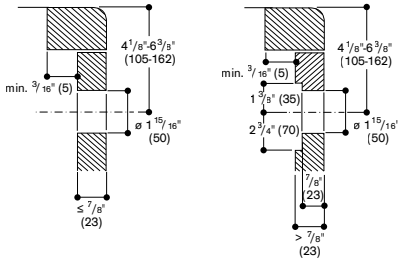
Connecting cable 55" with plug.

Surface-mount Installation

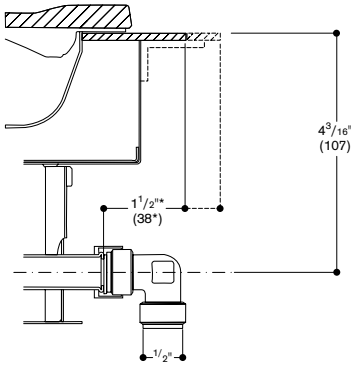


See separate planning notes on page 113.

Installation of the control knob; surface-mount installation

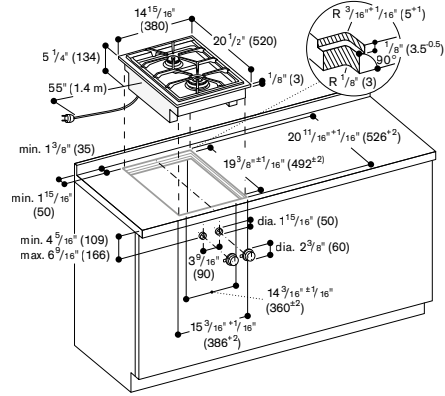


Gas connection



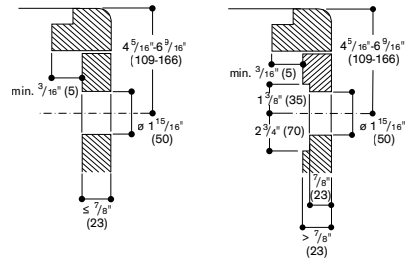
* 2 1/16" (53 mm) with appliance cover.

Flush-mount Installation

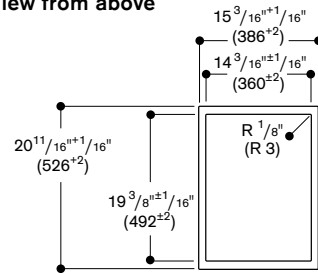


See separate planning notes on page 113.

Installation of the control knob; flush-mount installation

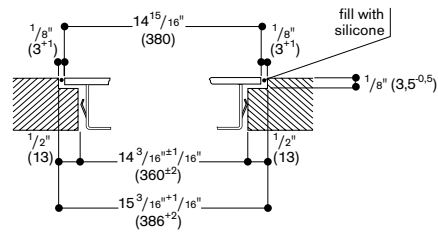


View from above

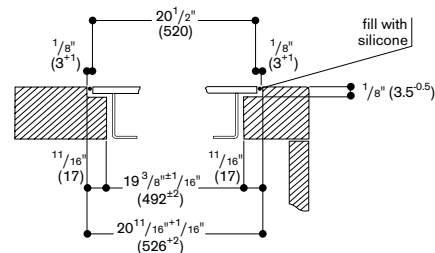


* When installing with appliance cover, take the deeper cut-out into consideration. See "Installation with appliance cover" on page 113.

Longitudinal section



Cross-section



When installing with appliance cover, pay attention to the deeper cut-out and the front and rear groove width.